



Chicago Pneumatic

Operation Manual

Printed Matter No. 8940177053

Date: 2022-03 Issue No. 02

Tire buffer

Valid from Serial No. C-00001 to Z-99999

Model:

CP871C

CP873C



	⚠ WARNING
	<p>To reduce risk of injury, everyone using, installing, repairing, maintaining, changing accessories on, or working near this tool MUST read and understand these instructions before performing any such task.</p> <p>DO NOT DISCARD - GIVE TO USER</p>



	CP871C	CP873C
Free Speed	22000	3000
Power (W)	350	350
Power (hp)	0.47	0.47
Chuck Size (")	3/8	7/16
Chuck Size (mm)	10	11
Air Consumption (cfm)	1.9	1.9
Air Consumption (l/s)	3.90	3.90
Air Inlet (")	1/4 NPT	1/4 NPT
Weight (kg)	0.75	1.02
Weight (lb)	1.65	2.25
Sound Pressure L_{pA} (dB(A))	88	87
Sound Pressure L_{WA} (dB(A))	99	98
Vibration a_{nd} (m/s ²)	4.04	<2.5
Vibration K (m/s ²)	0.89	
Length (")	7.9	8.7
Length (mm)	201	220
Diameter (")	1.8	1.8
Diameter (mm)	46	46
Height (")	3.0	3.0
Height (mm)	75	75

Table 1: Technical Specifications

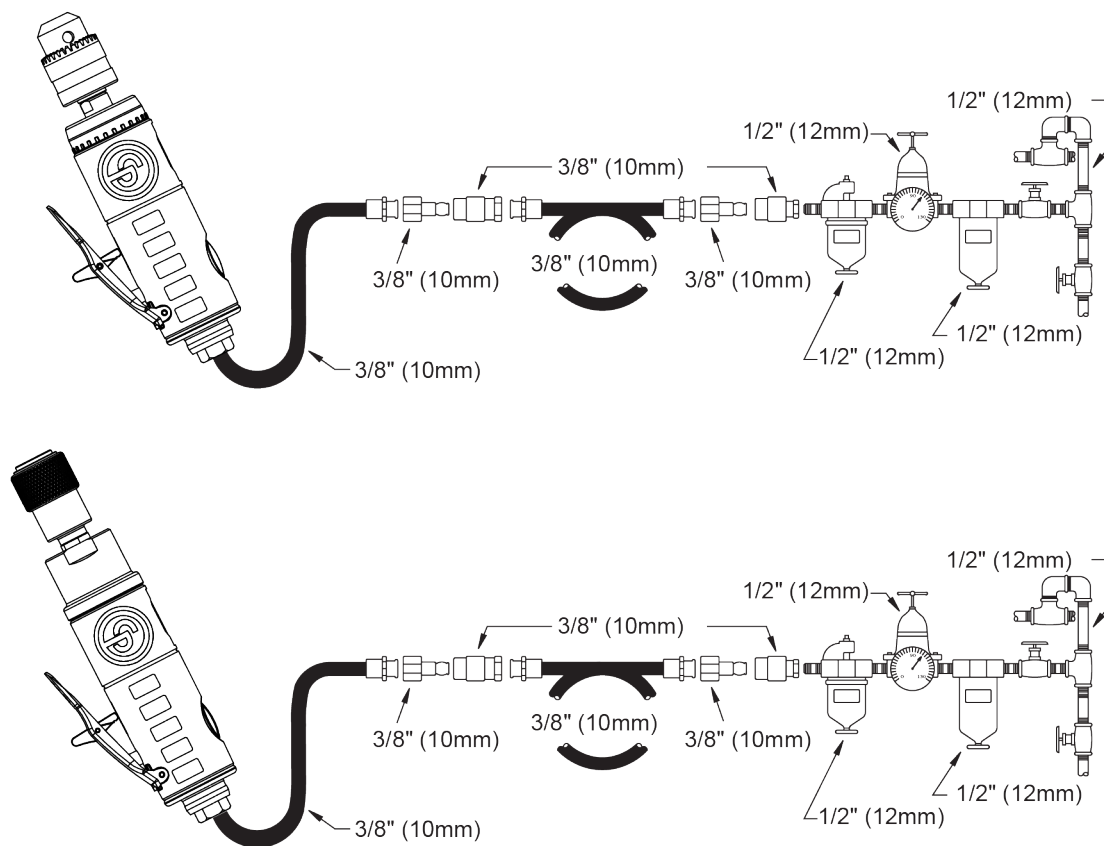


Illustration 1: Air Diagram

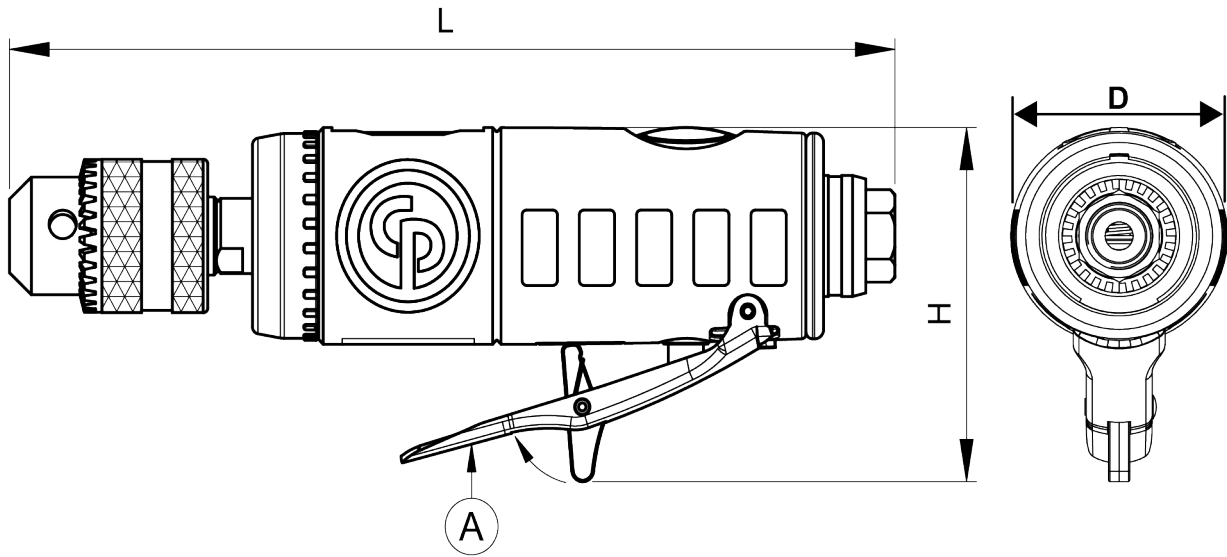


Illustration 2: CP871C

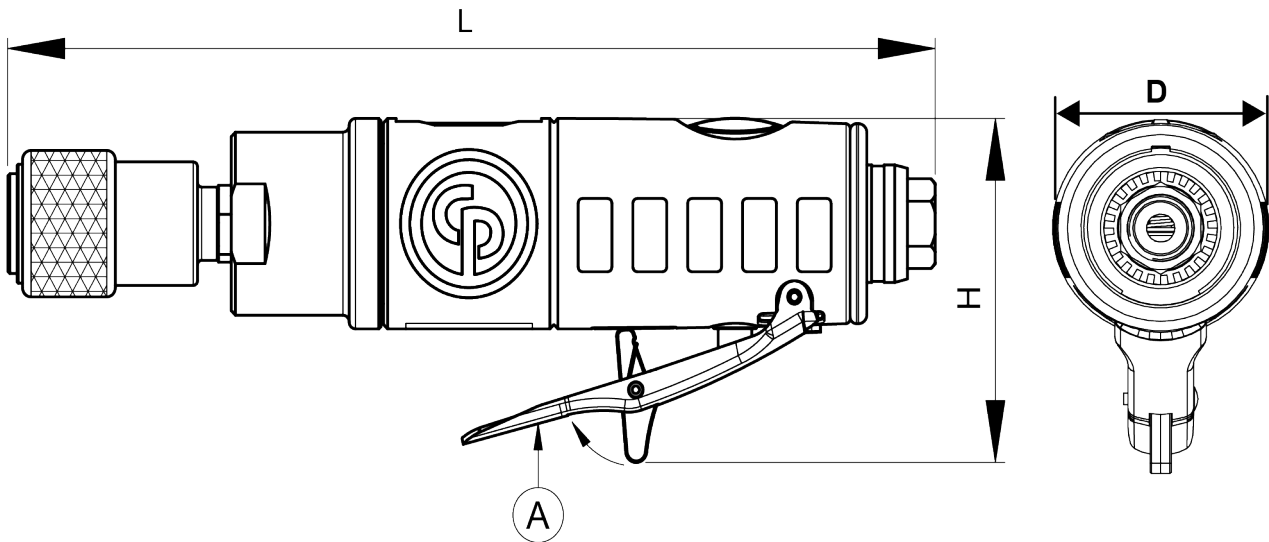


Illustration 3: CP873C

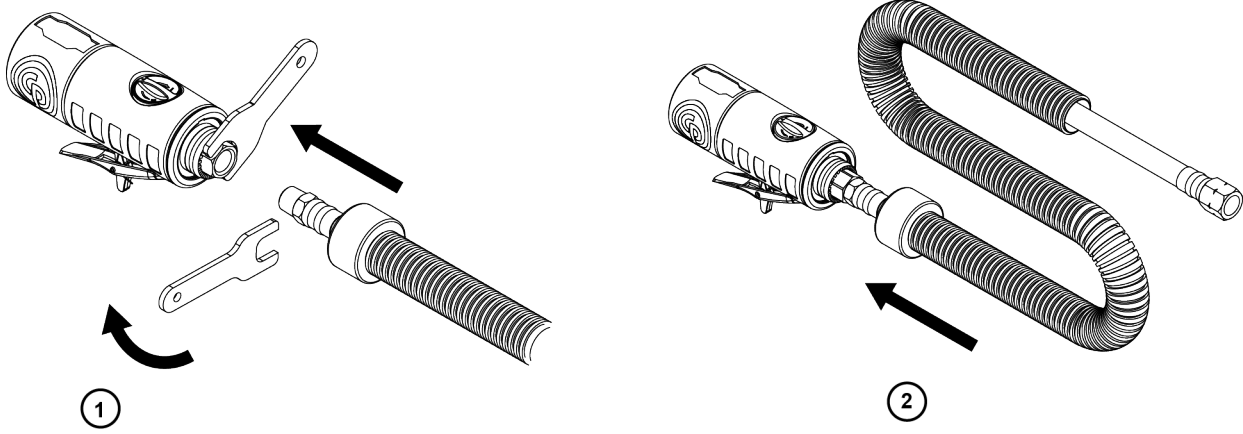


Illustration 4: Assembly of Tool with Pneumatic Hose

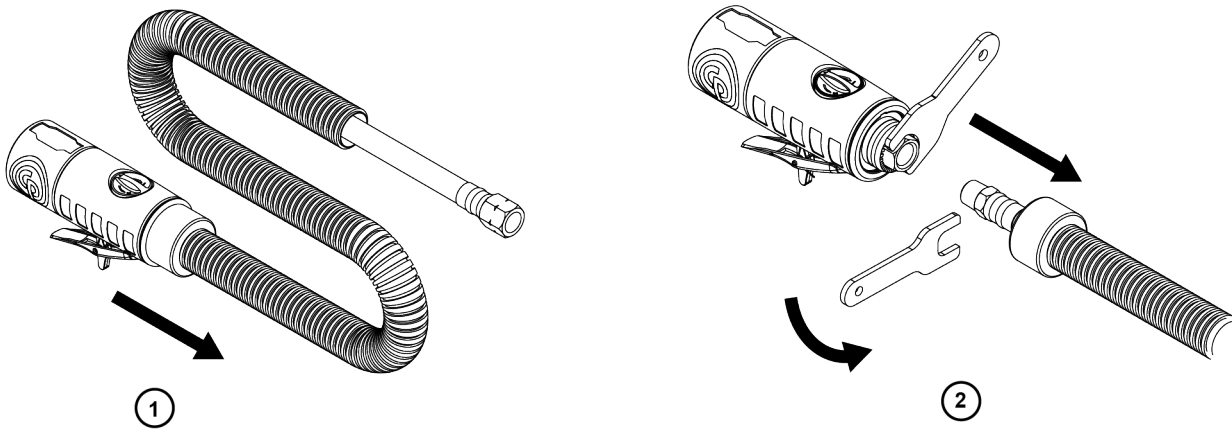


Illustration 5: Disassembly of Tool from Pneumatic Hose

Table of Contents

EN	Operation Manual.....	6
FR	Manuel d'exploitation.....	7
DE	Betriebshandbuch.....	9
ES	Manual de funcionamiento.....	11
PT	Manual de operação.....	12
IT	Manuale d'uso.....	14
NL	Bedieningshandleiding.....	16
DA	Betjeningsvejledning.....	17
NO	Driftshåndbok.....	19
FI	Käyttöohje.....	20
EL	Εγχειρίδιο λειτουργίας.....	22
SV	Drifthandbok.....	23
RU	Руководство по эксплуатации.....	25
PL	Instrukcja obsługi.....	27
SK	Návod na prevádzku.....	29
CS	Provozní příručka.....	30
HU	Használati útmutató.....	32
SL	Priročnik za uporabo.....	33
RO	Manual de utilizare.....	35
TR	Kullanım Kılavuzu.....	36
BG	Ръководство за операция.....	38
HR	Priručnik za rad.....	40
ET	Kasutusjuhend.....	41
LT	Naudojimo vadovas.....	43
LV	Ekspluatācijas rokasgrāmata.....	44
ZH	操作手册.....	46
JA	操作マニュアル.....	47
KO	조작 설명서.....	49

Technical Data

Tool Data

	Free speed (rpm)	Air Inlet (")	Weight (kg)	Weight (lb)
CP871C	22000	1/4 NPT	0.75	1.65
CP873C	3000	1/4 NPT	1.02	2.25

Maximum working pressure

6.3 bar / 90 psig

Declarations

EU DECLARATION OF CONFORMITY

We, CHICAGO PNEUMATIC Tool Co.LLC 1815 Clubhouse Road, Rock Hill, SC 29730 - USA, declare under our sole responsibility that the product (with name, type and serial number, see front page) is in conformity with the following Directive(s):

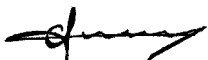
Harmonized standards applied: EN ISO 11148-3: 2013, EN ISO 11148-9: 2011

Authorities can request relevant technical information from: Pascal Roussy, R&D Manager, Ets Georges Renault, 38 rue Bobby Sands, BP10273 44818 Saint Herblain, France

Saint-Herblain, 2022/03/01

Pascal ROUSSY

Signature of issuer



Noise and Vibration

These declared values were obtained by laboratory type testing in accordance with the stated standards and are suitable for comparison with the declared values of other tools tested in accordance with the same standards. These declared values are not adequate for use in risk assessments and values measured in individual work places may be higher. The actual exposure values and risk of harm experienced by an individual user are unique and depend upon the way the user works, the workpiece and the workstation design, as well upon the exposure time and the physical condition of the user.

We, CHICAGO PNEUMATIC Tool Co.LLC, cannot be held liable for the consequences of using the declared values, instead of values reflecting the actual exposure, in an individual risk assessment in a work place situation over which we have no control.

This tool may cause hand-arm vibration syndrome if its use is not adequately managed. An EU guide to managing hand-arm vibration can be found by accessing <http://www.pneurop.eu/index.php> and selecting 'Tools' then 'Legislation'.

We recommend a programme of health surveillance to detect early symptoms which may relate to noise or vibration exposure, so that management procedures can be modified to help prevent future impairment.

- ⓘ If this equipment is intended for fixtured applications: The noise emission is given as a guide to the machine-builder. Noise and vibration emission data for the complete machine should be given in the instruction manual for the machine.

UK Declaration of Conformity

We CHICAGO PNEUMATIC Tool Co.LLC 1815 Clubhouse Road, Rock Hill, SC 29730 - USA, declare under our sole responsibility that the product (with name, type and serial number, see front page) is in conformity with the following UK Regulation(s):



Supply of Machinery (Safety) Regulations 2008

Designated Standards applied:

EN ISO 11148-3: 2013, EN ISO 11148-9: 2011

Saint-Herblain, 2022/03/01

Pascal ROUSSY

Signature of issuer



Authorities can request relevant technical information from:

UK Authorized Representative:

Air Compressors & Tools Ltd
Zodiac – Unit 4, Boundary way
Hemel Hempstead Industrial Estate, HP27SJ Hempsstead
Hertfordshire – UK
Contact: M.Taylor

Regional Requirements

⚠ WARNING

This product can expose you to chemicals including lead, which is known to the State of California to cause cancer and birth defects or other reproductive harm. For more information go to

<https://www.p65warnings.ca.gov/>

Safety

DO NOT DISCARD - GIVE TO USER